

**EGY**  
**AUDIO**  
مصنع الصوتيات

**IEP** International Electrical Products  
الشركة العالمية للأجهزة الكهربائية



**EGY AUDIO Factory**

**International Electrical Products Company**

**Address : Second Industrial Zone - Lot 240 - 6 October city -Giza province-Egypt**

**Phone : 002-02-38201881**

**Fax: 002-02-38201239**

**Mobile &What's App : 002-011-55420248**

**Email :prod-Sabry@bahgat.com**

**Sky Pe: sabry.fathy1**

**EGY AUDIO Factory**  
**International Electrical Products Company**

*2018-2019*



# PLASTIC CABNET SPEAKER

## HPS N-1 SERIES

Processed Active Speaker 15 "

SPECIFICATIONS	
Frequency response	42-18KHZ
Coverage	H90° × V30° XV45°
Continuous	100 w
Music	200 w
Peak	400w
Sensitivity 1w/1m	94dB
Peak spl	118dB
System impedance	4 OHM
Crossover section	2 way
Cross over frequency	1200HZ/3000HZ
Input Connector	-
Dimension (hwxwd)	51×455×78.2cm

The unit speaker is not only the flagship of the line,  
it is also the reference standard for the entire class.





## HPS 01 SERIES

Processed Active Speaker 15 "

SPECIFICATIONS	
Frequency response	50-20K-HZ
Coverage	H90° × V60°
Continuous	400W
Music	800W
Peak	1600W
Sensitivity 1w/1m	94dB
Peak spl	126dB
System impedance	4 ohm
Crossover section	2 way
Cross over frequency	2500HZ
Input Connector	XLR,RCA,6.35TRS
Dimension (hwxwd)	510×50.5×75.5cm



The speaker offers powered loudspeaker with modern AB Analog Amplifier technology, without having to miss out on professional features and outstanding audio performance.



Model	HPS0108/A	HPS0110/A	HPS0112/A	HPS0115/A
System type	2-way Model speaker box	2-way Model speaker box	2-way Model speaker box	2-way Model speaker box
Woofers	8" woofer, 30oz, 38mm vc, 4ohm/8ohm	10" woofer, 40oz, 50mm vc, 4ohm/8ohm	12" woofer, 50oz, 65mm vc, 4ohm/8ohm	15" woofer, 60oz, 75mm vc, 4ohm/8ohm
Tweeter	25mm TiDiap.driver, 10OZ, 8ohm	25mm TiDiap.driver, 10OZ, 8ohm	34mm TiDiap.driver, 14OZ, 8ohm	44mm TiDiap.driver, 23OZ, 8ohm



## HPS 02 SERIES

Processed Active Speaker 15 "

SPECIFICATIONS	
Frequency response	55-20K hz
Coverage	H90° × V30° XvV45°
Continuous	25 w
Music	50w
Peak	100 w
Sensitivity 1w/1m	91db
Peak spl	111db
System impedance	4 ohm
Crossover section	2 way
Cross over frequency	5000HZ
Input Connector	RCA,6.35TRS
Dimension (hwxwd)	38.5×32.5×53.0cm



With amazing feature and ultra compact pack power amplifier, based on the successful digital amplifier technology for maximum efficiency.



Model	HPS0208/A	HPS0210/A	HPS0212/A	HPS0215/A
System type	2-way Model speaker box	2-way Model speaker box	2-way Model speaker box	2-way Model speaker box
Woofers	8" woofer, 30oz, 38mm vc, 4ohm/8ohm	10" woofer, 40oz, 50mm vc, 4ohm/8ohm	12" woofer, 50oz, 65mm vc, 4ohm/8ohm	15" woofer, 60oz, 75mm vc, 4ohm/8ohm
Tweeter	25mm TiDiap.driver, 10OZ, 8ohm	25mm TiDiap.driver, 10OZ, 8ohm	34mm TiDiap.driver, 14OZ, 8ohm	44mm TiDiap.driver, 23OZ, 8ohm



## HPS 21 SERIES

Processed Active Speaker 15 "

### SPECIFICATIONS

Frequency response	45-18KHZ
Coverage	H100° × V60°
Continuous	75W
Music	150W
Peak	300W
Sensitivity 1w/1m	95dB
Peak spl	120dB
System impedance	4 OHM
Crossover section	2 way
Cross over frequency	3500HZ
Input Connector	XLR,RCA,6.35TRS
Dimension (hwxwd)	48.5 × 44.5 × 74.5cm

Equipped with 300-watt power with Digital amplifier (SMTP), high-quality transducers, and modern DSPs. For every unit with sound system delivers the kind of stellar audio performance that sets the stage for success. And that makes it the perfect companion for the discerning performer.



Model	HPS2108/A	HPS2110/A	HPS2112/A	HPS2115/A
System type	2-way Model speaker box	2-way Model speaker box	2-way Model speaker box	2-way Model speaker box
Woofers	8" woofer, 30oz, 38mm vc, 4ohm/8ohm	10" woofer, 40oz, 50mm vc, 4ohm/8ohm	12" woofer, 50oz, 65mm vc, 4ohm/8ohm	15" woofer, 60oz, 75mm vc, 4ohm/8ohm
Tweeter	25mm TiDiap, driver, 10OZ, 8ohm	25mm TiDiap, driver, 10OZ, 8ohm	34mm TiDiap, driver, 14OZ, 8ohm	44mm TiDiap, driver, 23OZ, 8ohm



## HPS 34 SERIES

Processed Active Speaker 15 "

### SPECIFICATIONS

Frequency response	45-18KHZ
Coverage	H90° × V60°
Continuous	180W
Music	360W
Peak	720W
Sensitivity 1w/1m	96dB
Peak spl	125dB
System impedance	8 OHM
Crossover section	2 way
Cross over frequency	2500HZ
Input Connector	XLR,RCA,Speakon
Dimension (hwxwd)	49.5 × 40.5 × 75.0cm

A powerful dynamic design for aggressive clean-cut lines.  
A sturdy light-weight enclosure that ensures great versatility and is ready for installation. Thanks to its special mounting points and optional accessories.



Model	HPS3408/A	HPS3410/A	HPS3412/A	HPS3415/A
System type	2-way Model speaker box	2-way Model speaker box	2-way Model speaker box	2-way Model speaker box
Woofers	8" woofer, 30oz, 38mm vc, 4ohm/8ohm	10" woofer, 40oz, 50mm vc, 4ohm/8ohm	12" woofer, 50oz, 65mm vc, 4ohm/8ohm	15" woofer, 60oz, 75mm vc, 4ohm/8ohm
Tweeter	25mm TiDiap, driver, 10OZ, 8ohm	25mm TiDiap, driver, 10OZ, 8ohm	34mm TiDiap, driver, 14OZ, 8ohm	44mm TiDiap, driver, 23OZ, 8ohm



## HPS 36 SERIES

Processed Active Speaker 15"

SPECIFICATIONS	
Frequency response	45-18KHZ
Coverage	H90° × V40°
Continuous	250W
Music	500W
Peak	1000W
Sensitivity 1w/1m	98dB
Peak spl	128dB
System impedance	4 OHM
Crossover section	2 way
Cross over frequency	3500HZ
Input Connector	RCA,XLR,6.35TRS
Dimension (h×w×d)	515X465X755CM

With amazing feature and the ultra compact pack power amplifier, based on the successful digital amplifier technology for maximum efficiency.



Model	HPS3608/A	HPS3610/A	HPS3612/A	HPS3615/A
System type	2-way Model speaker box	2-way Model speaker box	2-way Model speaker box	2-way Model speaker box
Woofers	8" * woofer, 30oz, 38mm vc, 4ohm/8ohm	10" * woofer, 40oz, 50mm vc, 4ohm/8ohm	12" * woofer, 50oz, 65mm vc, 4ohm/8ohm	15" * woofer, 60oz, 75mm vc, 4ohm/8ohm
Tweeter	25mm TiDiap driver, 10OZ, 8ohm	25mm TiDiap driver, 10OZ, 8ohm	34mm TiDiap driver, 14OZ, 8ohm	44mm TiDiap driver, 23OZ, 8ohm



## HPS 39 SERIES

Processed Active Speaker 15"

SPECIFICATIONS	
Frequency response	45-20K hz
Coverage	H90° /70° × V60°
Continuous	120 w
Music	240 w
Peak	480 w
Sensitivity 1w/1m	98db
Peak spl	125db
System impedance	4 ohm
Crossover section	2 way
Cross over frequency	20K hz , 20K hz
Input Connector	RCA,6.35TRS,XLR,Speakon
Dimension (h×w×d)	99.0×45.5×76.0cm(2pcs)

The unit speaker is not only the line, it is also the reference standard for the entire class.



Model	HPS3908/A	HPS3910/A	HPS3912/A	HPS3915/A
System type	2-way Model speaker box	2-way Model speaker box	2-way Model speaker box	2-way Model speaker box
Woofers	8" * woofer, 30oz, 38mm vc, 4ohm/8ohm	10" * woofer, 40oz, 50mm vc, 4ohm/8ohm	12" * woofer, 50oz, 65mm vc, 4ohm/8ohm	15" * woofer, 60oz, 75mm vc, 4ohm/8ohm
Tweeter	25mm TiDiap driver, 10OZ, 8ohm	25mm TiDiap driver, 10OZ, 8ohm	34mm TiDiap driver, 14OZ, 8ohm	44mm TiDiap driver, 23OZ, 8ohm



## HPS 41 SERIES

Processed Active Speaker 15"

SPECIFICATIONS	
Frequency response	35-18KHZ
Coverage	H90° × V60°
Continuous	400W
Music	800w
Peak	1600w
Sensitivity 1w/1m	94dB
Peak spl	112dB
System impedance	4OHM
Crossover section	2 way
Cross over frequency	5000HZ
Input Connector	6.35TRS,XLR
Dimension (h×w×d)	50.5×40.5×77.5cm

The unit speaker is not only the flagship of the line, it is also the reference standard for the entire class.



Model	HPS4108/A	HPS4110/A	HPS4112/A	HPS4115/A
System type	2-way Model speaker box	2-way Model speaker box	2-way Model speaker box	2-way Model speaker box
Woofers	8" * woofer,30oz,38mm vc,4ohm/8ohm	10" * woofer,40oz,50mm vc,4ohm/8ohm	12" * woofer,50oz,65mm vc,4ohm/8ohm	15" * woofer,60oz,75mm vc,4ohm/8ohm
Tweeter	25mm TiDiap.driver,10OZ,8ohm	25mm TiDiap.driver,10OZ,8ohm	34mm TiDiap.driver,14OZ,8ohm	44mm TiDiap.driver,23OZ,8ohm



## HPS 42 SERIES

Processed Active Speaker 15"

SPECIFICATIONS	
Frequency response	35-20KHZ
Coverage	H90° × V30°
Continuous	400W
Music	800w
Peak	1600w
Sensitivity 1w/1m	98dB
Peak spl	130dB
System impedance	4 OHM
Crossover section	2 way
Cross over frequency	1200HZ/3600HZ
Input Connector	RCA,6.35TRS,XLR AUX
Dimension (h×w×d)	50×43×75.7cm

with amazing feature and the ultra compact power amplifier, based on the successful digital amplifier technology for maximum efficiency.



Model	HPS4208/A	HPS4210/A	HPS4212/A	HPS4215/A
System type	2-way Model speaker box	2-way Model speaker box	2-way Model speaker box	2-way Model speaker box
Woofers	8" * woofer,30oz,38mm vc,4ohm/8ohm	10" * woofer,40oz,50mm vc,4ohm/8ohm	12" * woofer,50oz,65mm vc,4ohm/8ohm	15" * woofer,60oz,75mm vc,4ohm/8ohm
Tweeter	25mm TiDiap.driver,10OZ,8ohm	25mm TiDiap.driver,10OZ,8ohm	34mm TiDiap.driver,14OZ,8ohm	44mm TiDiap.driver,23OZ,8ohm



## HPS 48 SERIES

Processed Active Speaker 15"

SPECIFICATIONS	
Frequency response	45-18KHZ
Coverage	H100° × V60°
Continuous	75W
Music	150W
Peak	300W
Sensitivity 1w/1m	95dB
Peak spl	120dB
System impedance	4 OHM
Crossover section	2 way
Cross over frequency	3500HZ
Input Connector	XLR,RCA,6.35TRS
Dimension (h×w×d)	52×48×75.5cm

The speaker offers powered loudspeaker with modern AB Analog Amplifier technology, without having to miss out on professional feature and outstanding audio performance.



Model	HPS4808/A	HPS4810/A	HPS4812/A	HPS4815/A
System type	2-way Model speaker box	2-way Model speaker box	2-way Model speaker box	2-way Model speaker box
Woofers	8" woofer,30oz,38mm vc,4ohm/8ohm	10" woofer,40oz,50mm vc,4ohm/8ohm	12" woofer,50oz,65mm vc,4ohm/8ohm	15" woofer,60oz,75mm vc,4ohm/8ohm
Tweeter	25mm TiDiap.driver,10OZ,8ohm	25mm TiDiap.driver,10OZ,8ohm	34mm TiDiap.driver,14OZ,8ohm	44mm TiDiap.driver,23OZ,8ohm



## HPS 51 SERIES

Processed Active Speaker 15"

SPECIFICATIONS	
Frequency response	80-20KHZ
Coverage	H80° × V60°
Continuous	15W
Music	30W
Peak	60W
Sensitivity 1w/1m	94dB
Peak spl	112dB
System impedance	4OHM
Crossover section	2 way
Cross over frequency	5000HZ
Input Connector	RCA,6.35TRS
Dimension (h×w×d)	290×240×43.0cm

Equipped with 300W Power with Digital amplifier(SMTP),high-quality transducers,and modern DSPs.For every unit with sound system delivers the kind of stellar audio performance that companion for the discerning performer.



Model	HPS5108/A	HPS5115A
System type	2-way Model speaker box	2-way Model speaker box
Woofers	8" woofer,30oz,38mm vc,4ohm/8ohm	12" woofer,50oz,65mm vc,4ohm/8ohm
Tweeter	25mm TiDiap.driver,10OZ,8ohm	34mm TiDiap.driver,14OZ,8ohm



## HPS 54 SERIES

Processed Active Speaker 15"

SPECIFICATIONS	
Frequency response	45-18KHZ
Coverage	H100° × V60°
Continuous	350W
Music	700W
Peak	1400W
Sensitivity 1w/1m	96dB
Peak spl	125dB
System impedance	4 OHM
Crossover section	2 way
Cross over frequency	1.3KHZ, 3.6KHZ
Input Connector	6.35TRS,RCA,XLR
Dimension (h×w×d)	50.5×45.0×74.5cm

The unit speaker is not only the line, it is also the reference standard for the entire entire class.



Model	HPS5408/A	HPS5410/A	HPS5412/A	HPS5415/A
System type	2-way Model speaker box	2-way Model speaker box	2-way Model speaker box	2-way Model speaker box
Woofers	8" woofer, 30oz, 38mm vc, 4ohm/8ohm	10" woofer, 40oz, 50mm vc, 4ohm/8ohm	12" woofer, 50oz, 65mm vc, 4ohm/8ohm	15" woofer, 60oz, 75mm vc, 4ohm/8ohm
Tweeter	25mm TiDiap, driver, 100Z, 8ohm	25mm TiDiap, driver, 100Z, 8ohm	34mm TiDiap, driver, 140Z, 8ohm	44mm TiDiap, driver, 230Z, 8ohm



## HPS 10210/12/15(A)

Processed Active Speaker 15"

SPECIFICATIONS	
Frequency response	45-18KHZ
Coverage	H100° × V60°
Continuous	300W
Music	600W
Peak	1200W
Sensitivity 1w/1m	98dB
Peak spl	129dB
System impedance	4 OHM
Crossover section	2 way
Cross over frequency	2000HZ
Input Connector	XLR,RCA,6.35TRS
Dimension (h×w×d)	50.0×41.0×115.5cm

- Features:
1. HPS 10215A features two high efficient 15" woofers and one 3 titanium
  2. Perfect for live sound reinforcement, speech, vocals and music entertainment.
  3. Steel grill offers additional protection for the woofer and compression driver components



Model	HPS10210/A	HPS10212/A	HPS10215/A
System type	3way speaker box	3way speaker box	3way speaker box
Low Frequency	10" woofer, 40oz, 50mmvc	12" woofer, 50oz, 65mm vc	15" woofer, 80oz, 75mm vc
High Frequency	25mm resin film, driver, n-38, 8 ohm	34mm Ti Diap, driver, 140Z, 8 ohm	44mm Ti Diap, driver, 230Z, 8 ohm



## HPS 50210/12/15(A)

Processed Active Speaker 15 "

### SPECIFICATIONS

Frequency response	40-18K hz
Coverage	H90° × V60°
Continuous	250 w
Music	500 w
Peak	1000 w
Sensitivity 1w/1m	98 db
Peak spl	128 db
System impedance	4 ohm
Crossover section	2 way
Cross over frequency	3500 hz
Input Connector	XLR,RCA,6.35trs
Dimension (hwxwd)	50.0×41.0×115.5cm



- 1.HPS-50215A features two height efficient 15 " woofers and one 3 " titanium
- 2.Perfect for live sound reinforcement,speech,vocals and music entertainment
- 3.Steel grill offers additional protection for the woofer and compression driver components.

Model	HPS50210/A	HPS50212/A	HPS50215/A
System type	3way speaker box	3way speaker box	3way speaker box
Low Frequency	10 " woofer, 40oz, 50mmvc	12 " woofer, 500z, 65mm vc	15 " woofer, 80oz, 75mm vc
High Frequency	25mm resin film, driver, n-38, 8 ohm	34mm Ti Diap, driver, 140Z, 8 ohm	44mm Ti Diap, driver, 230Z, 8 ohm



## HPS-SN-10210

Processed Active Speaker

### SPECIFICATIONS

Dual 8inch Speaker	
Woofer	386mm(27OZ)+Class-D
Tweeter	1"Ti
RMS	40W
Lead acid Battery	12V/26AH
With light	
With 1 VHF microphone	



with amazing feture and the ultra compact power amplifier, based on the successful digital amplifier technology for maximum efficiency.

**SOUND COLUMN / MINI LINE ARRAY**



**HDL-010833D**

**SPECIFICATIONS**

**Sin woofer:**

impedance	4ohm
frequency range	50-2000Hz
RMS	100W
VOICE COIL	1.5in/38.6mm paper cone with foam edeg
Magnet	28OZ, 110*20, T-yoke 6mm



**SPECIFICATIONS**

**2.7in full frequency speaker**

impedance	8ohm
frequency range	500-20000Hz
RMS	10W
VOICE COIL	0.8in/20.4mm paper cone with cloth edge
Magnet	5OZ, 60*12, T-yoke 4mm



EGY  
AUDIO  
مصنع الصوتيات

IEP International Electrical Products  
الشركة العالمية للأجهزة الكهربائية



Always Professional in Pro Audio Parts

## EGY AUDIO Factory

International Electrical Products Company

Address : Second Industrial Zone – Lot 240 – 6 October  
city –Giza province-Egypt

Phone : 002-02-38201881

Fax: 002-02-38201239

Mobile &What's App : 002-011-55420248

Email :prod-Sabry@bahgat.com

Sky Pe: sabry.fathy1



## EGY AUDIO Factory

International Electrical Products Company

Address : Second Industrial Zone – Lot 240 – 6 October  
city –Giza province-Egypt

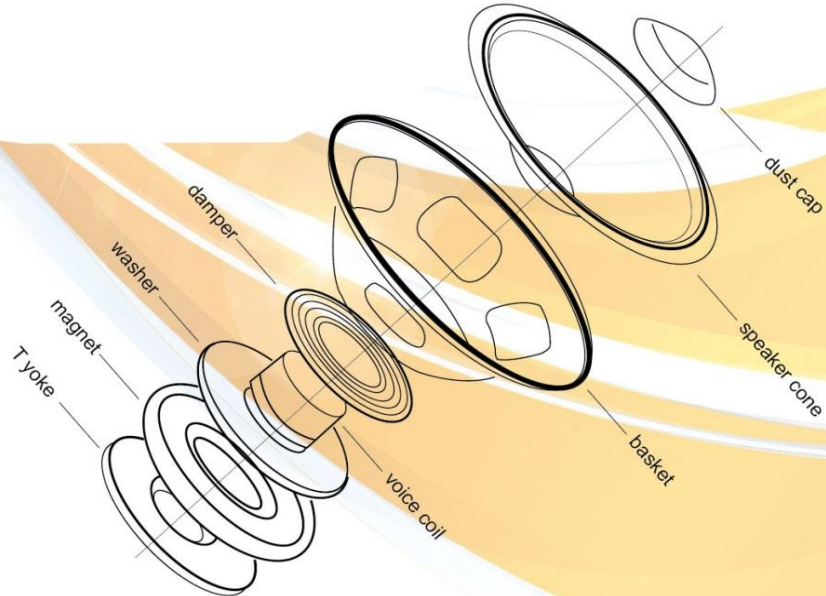
Phone : 002-02-38201881

Fax: 002-02-38201239

Mobile &What's App : 002-011-55420248

Email :prod-Sabry@bahgat.com

Sky Pe: sabry.fathy1



## Products Catalogue



1/ Dust cap ..... 03



2/ Speaker cone ..... 04



3/ Terminal ..... 14



4/ Voice coil ..... 15



5/ Damper ..... 17



6/ Basket ..... 19



7/ Magnet ..... 25



8/ T yoke & washer ..... 31



9/ Glue ..... 35



10/ Glue machine ..... 37



11/ Magnetizing machine ..... 39



12/ Lead wire ..... 40





# 1/ Dust cap

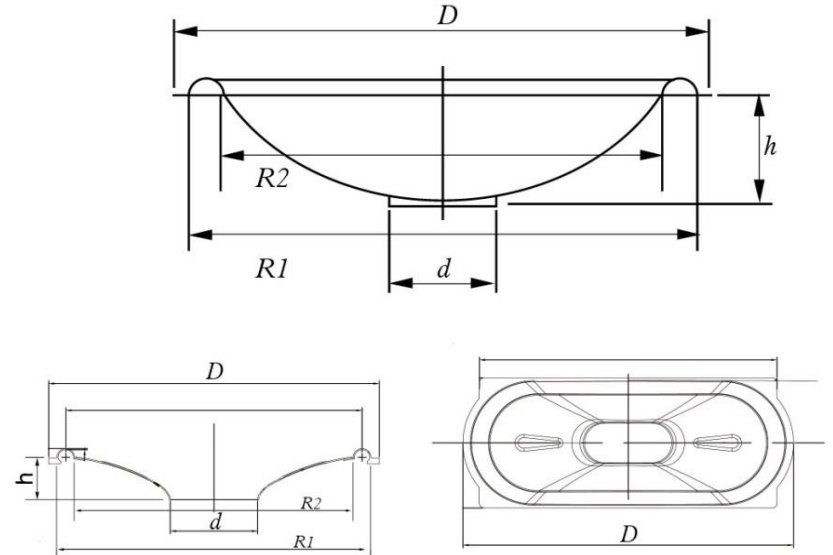
Materials of dust cap	
paper	PP
glass fiber	injection PP
mylar	AL
non-woven fabrics	cloth



SPECIFICATION (mm)				
Model No.	Weight	Outer diameter	Inner diameter	Overall height
YDø12.5	0.03	12.5	11.2	1
YDø16	0.03	16.2	13.6	1.25
YDø17	0.035	17	15	1.5
YDø18	0.045	18	16.8	3.6
YDø19	0.045	19	17	4.5
YDø20-1	0.05	20	17.5	4.5
YDø22-1	0.08	22	19	3.5
YDø23.5-01	0.07	23.5	21.5	7
YDø24	0.08	24	21	4
YDø25	0.08	25	22	5
YDø27	0.1	27	24	10
YDø28	0.12	28	25	6.5
YDø29	0.25	29	25.3	2.1
YDø34	0.2	34		2.85
YDø38	0.3	38	34	9.8
YDø44	0.45	44		2.8
YDø45	0.35	45	40	10.5
YDø47-01	0.35	47	44	8.2
YDø48	0.45	48		3
YDø52	0.45	52	47.6	11
YDø53	0.45	53	50	13.5
YDø55	0.75	55		18
YDø60-01	0.8	60	55	18
YDø65-02	0.7	65	61	4.5
YDø72	1.2	72	68	13
YDø74	1.3	74	69	13.8
YDø80	1.5	80	74	16.4
YDø81-01	4.6	81	78.6	5.2
YDø85-01	2.2	85		9.6
YDø88	3	88	84	15
YDø93-02	3.5	93	91	4
YDø97	2.2	97	92	17
YDø105	2.8	105	100	25
YDø110	2.5	110	106	22.5
YDø115	2.8	115	110	21
YDø117	3.8	117	112	15.3
YDø120	3	120	114	24
YDø130	3.5	130	122	13
YDø140	5.5	140	136	18
YDø150	5.5	150	140	19



# 2/ Speaker cone



speaker cone	Edge	body cone
Paper cone	cloth	pressed
		non pressed
		serie non pressed
PP cone	rubber	injection cone
	foam	carbon-fiber
		glass-fiber
		kevlar fiber
		woven
	PU	AL



cloth edge paper cone



foam edge paper cone



rubber edge paper cone



rubber & cloth edge non press cone



TV cone



foam edge non press cone



rubber edge injection PP cone



rubber edge PP cone



foam edge injection PP cone





## rubber edge paper cone

SPECIFICATION (mm)					
Model No.	Inner diameter d	Outer diameter D	Effective height h	Outside R rim R1	Inside R rim R2
YD66-06H-N	20.3	63	8	58	45.5
YD66-14B-A	17	67	10.8	59	45
YD70-19-A	19.2	71	12	63.5	51.5
YD78-23A	26.3	75	13	68	51
YD78-38-N1	21.2	77	12.6	69	55
YD80-02A-A	20.3	84	11.8	77	65
YD100-03A-A	20.3	96	18	88.5	72.5
YD100-03A-N1-A	20.3	99.3	18	91	72
YD100-17C-N2	21.2	99.3	18.5	91	72.5
YD100-36-N-A	26.9	98.5	19	91	75
YD110-02-A	33.5	110.9	15.5	91	内圆
YD120-05-A	26.9	114.5	19.3	104.5	86
YD131-02A-A	26.6	130	21.5	117	98
YD131-02G-N-A	51.7	125	10.2	113	95
YD131-09A-A	26.6	121.5	17.6	110.5	89
YD135-01C	26.9	130	24.5	121	98.5
YD135-06A-A	26.3	125	18	115.5	98.5
YD135-28B-A	20.3	126	18.8	110.5	92.5
YD166-01-N4-A	26.9	154	26.5	141	123
YD166-01D-N-A	26.5	157	26	142.5	121
YD166-14-A	26.5	151	29	142	119
YD166-18A-N-A	20.3	153	29	143	121
YD166-65-A	39.8	157	27.5	144	121
YD200-04A-A	36.5	196	33	181	151
YD200-07H-A	31.8	196	33.5	181	151
YD250-02A	39.8	247	52	227	195
YD250-17C-A	50.8	246	49.5	230	189.5
YD300-03-M2	52	296.5	61	271	235.2
YD300-23-M70-A		298	45	276	226
YD380-02A-M4-A	52	374	84	354	310
YD0311-04	2-Φ12.2	100*27	4.9	95*22	89*16
YD4070-08-NJ4	14	72*41	7	65.5*34.5	55.5*24.5
YD0410-06	15.1	91.5*38.5	8.5	85*32	73*20
YD0416-05-J4A	15.1	169.8*40.6	13.5	145*34.8	133*22.8
YD0416-10-J4	16.3	151.5*40.5	12.5	143*34.2	132.3*26.3
YD0511-01	15.3	107*47	11.3	100*41.5	85.5*30
YD0816-01C-A	15.1	156*77	19.5	145*66.2	132*53.2
YD1016-06-A	26.9	149.5*93.5	19	139.5*83.5	123.5*67.5
YD1025-01-A	26.9	247.5*104.5	33	232*91	214*73

## foam edge paper cone

SPECIFICATION (mm)					
Model No.	Inner diameter d	Outer diameter D	Effective height h	Outside R rim R1	Inside R rim R2
TW3040-02-CJ6A	14.9	39*27.3	0.8	33.4*23	26*18
TW5090-07A	15.3	87.5*47.5	10.5	80.5*40.5	70.5*30.5
TW0613-01-M4	16.3	117.9*54.5	13	110.5*47	99.5*36
TW0616-01-A	15.4	151.1*55.1	16.5	142.7*46.7	133*37
TW0816-02	21.3	156*77	19.7	145*66.2	132*53.2
TW30-17	20	30	0.3	28	22
TW40-17A-J4	16.3	38.8	4.5	35	25.5
TW50-26-N1	13.9	50	8	45.5	35.5
TW58-03C	13.9	54.8	3.6	49	39
TW66-23	21.3	66	10.5	61	47
TW166-78	14.1	63.4	11.9	57.5	47.5
TW78-17-A	16	74.5	11.3	66.5	52.5
TW78-103-J6	20.3	74.6	14	68.8	56.5
TW80-01	15.3	84	12	74.5	60.5
TW80-02	19	84.5	12.7	76	64
TW93-03	15	89	16	84	68.5
TW100-02C	15.3	98.5	13.5	91	75
TW100-11-N	26.3	97	17.5	91	75
TW100-12B-N1	20.3	96	19.4	89.5	72.5
TW100-73	26.5	100.5	18	93.5	77
TW100-79A-N	21.3	99.4	17	88.5	72
TW120-01	19	116	18	106	89.5
TW120-06A	20.3	126	20.5	110.5	92.5
TW120-33-N	26.5	123	21.5	111	82
TW131-03C	21.3	126	18.3	110.5	92.5
TW135-05A	26.9	130	28	118	99
TW158-04A-J1	26.2	154	22.5	131.5	112
TW158-59-J1	31.4	154	26	132	116
TW166-12C	26.6	156	23.2	141	115
TW166-18C	26.9	158	24.5	143.5	121.5
TW166-94A	26.3	148	11.3	132	114
TW166-119	20.3	153.5	31	139.5	119.5
TW176-01-A	26.3	174	26	164	136
TW200-03	26.5	197	37	181	151
TW200-05-N	26.9	196	42	179	151
TW200-08D	31.4	199	32	177	133
TW200-18	39.8	197	39	181	151
TW250-01-ZMH-A	39.5	248	51.5	229	182
TW250-02A	39.8	247	52	227	195
TW250-07B-M4	26.8	247	52	227	195
TW300-16	26.3	296	67	270	233.5
TW380-01-M2	52	374	93	347	307



cloth edge paper cone

SPECIFICATION (mm)					
Model No.	Inner diameter d	Outer diameter D	Effective height h	Outside R rim R1	Inside R rim R2
YD3040-01-J4A	14.1	38.4*26.4	2.5	33.8*22.5	26.3*17.8
YD0310-05-C6	13.9	96*31.5	10	90*27	80*17
YD4070-03-C6J4	14	68*38	9	61.5*31.5	52.5*22.5
YD0411-01-C6	15	107.5*39.5	9.5	98.5*33.5	88.5*25.5
YD0416-02-J4-A	20.8*10.8	150.4*39.8	15.3	142*31.8	132.6*22.3
YD0509-01-J4B	14	89*48.5	12	81.5*41.5	70.5*30.5
YD0511-01-J4	15.3	108*48	11.3	99.5*41	85.5*30
YD0512-06-C6G0.85	16.3	117*47	13	109*39	101*31
YD5812-14-J4-06-2C	15.3	118.8*55.7	15.5	111*47.5	99*35.5
YD0613-BA-N1	15	117.5*54.5	13.4	110.3*48	95.7*37.7
YD0713-04A-J4	15.1	125.5*66.5	12	118*60	102.5*46.5
YD40-10	17	38.4	5.1	35	28.3
YD40-13-N	14	35	5.7	31	25
YD50-12-J4	13.9	48.3	6	44.5	35
YD50-28-J4	14.1	49.5	6.8	44.3	35.3
YD66-01A-C6	14	63.5	8.1	57.5	46.5
YD66-07-C6M4	21.2	68	9	63.5	49.5
YD78-01	14	74.5	10.3	67.5	57.5
YD78-33-C6	15.3	77	12.3	70.8	54.8
YD78-86	20.3	74.5	15.5	67	55
YD100-01-NC6	20.3	98.5	16.8	89.8	72.8
YD100-34-C6	27.3	98	21.5	92.5	75
YD103-27-C6-A	26.6	105.5	18.5	95.5	80
YD120-43-A	20.3	125	13	115	97.8
YD158-11A	26.5	152	21	137	115
YD166-07H-N-A	31.4	158	27	142	122
YD166-48-C6M2-A	39.8	154	28	142	122
YD200-33-A	52	196	35	178	151.5
YD250-07B-C6M2-A	26.8	246	52	226	196
YD250-21-N-A	26.3	247	54	227	195
YD300-07E-C6M2-A	77	296	52.5	276	234
YD300-11-C6M4-A	39.8	296	68	276	243
YD300-16D-A	45.4	296	59	276	234
YD300-121-A	39.8	292	65	275	241
YD380-01F-N-A	77.7	374	78	347	311
YD380-15-N2-A	26.3	374	116	347	310
YD380-24A-A	50.8	372	93	346	306
YD460-01C-N-A	77.7	448	120	418	382

fix paper cone

SPECIFICATION (mm)			
Model No.	Inner diameter d	Outer diameter D	Effective height h
YD40-06	38	13.9	4
YD45-04	43	14	1.7
YD50-04	48	14	1.7
YD50-08	50	13.9	8
YD50-33	49	14	8.1
YD58-06	55	15.05	4.5
YD66-25	62	15	9.5
YD78-08	74	14	6.2
YD78-19	75.5	15.3	14.5
YD78-30	74.5	13.9	7
YD78-58	75	15	12.7
YD78-99	73.5	14.1	11.5
YD93-06	89	14	10
YD100-64	98.5	21.3	12.5
YD120-07	116	20.3	17
YD120-14A	118	15.3	19.5
YD120-18	115	15	18.4
YD131-10	121	20.4	18.8
YD131-17	124	20.3	19.5
YD131-33	126	21.3	19.4
YD135-13	138	20.3	28
YD158-10G	158	21.3	27
YD158-14	150	20.1	27.9
YD158-25	154	20.3	29.5
YDF166-01	142	20.3	9.2
YD166-02A	160	20.3	26.2
YD166-19	148	20.3	30.5
YD200-06-M4	197	20.3	38.5
YD200-114A	190	40.1	30.5
YD250-10	246.5	39.8	60
YD250-41	249	26.3	58
YD300-31-M3	292	45.4	74
YD300-107	297	39.5	75.5
YDG40-06	39.4	13.9	7.7
YDG50-07	41.5	4.16	8.5
YDG50-13B	49.8	14	4.6
YDG55-01	54	13.8	6.7
YDG66-12A	61.5	14.1	10
YDG80-06A	75	15	13
YD4070-07	68*38.2	14	9





## rubber edge injection PP cone

SPECIFICATION (mm)					
Model No.	Inner diameter d	Outer diameter D	Effective height h	Outside R rim R1	Inside R rim R2
CX80-11-Y12M14J1	20.3	84	12.2	74	60
CX100-18-010	20.3	98.5	18.5	91	75
CX100-28B-N3B1-A	20.3	98	18	91	74.5
CX100-82-N1A1M14-A	26.8	96.5	17.4	90.5	76.5
CX-100-82C-NY10M14A	26	96.5	18.1	90.5	76.5
CX-100-95A-N8L20-A	36.8	98	16.1	90	72
CX100-96E-Y10M14S-A	26.8	97	17.3	88	72
CX120-69-Y31G2.2	26.8	116	18	107	88
CX131-64-NY12M14-A	20.3	122	19.2	112	92
CX135-08-N13B1M14-A	26.8	124	23.3	111	92
CX-135-57C-170Y10M14-A	26.8	127	22.6	118	98.8
CX158-68D-N14A0.25W1S	26.3	141	24	132	112
CX158-260-N32Y36M14J1-A	26.6+0.1	140	22	132	114
CX-166-72A-U18	36.5	169	33.3	158	129
CX166-186A-NY12-A	27	157	26.7	142.5	120.5
CX200-23-Y10M14S-A	39.8	196	39.5	180	151
CX200-71-N1T75U1-A	39.6	195	36.5	181	151
CX200-144B-T70Y10M14-A	39.4	196	33.5	180	151
CX250-09B-NB3-A	39.8	253	51.8	228	192
CX250-18A-N2Y23-A	39.8	247	52	224	194.5
CX250-29-N1B1-A	52	247	52	224	194.5
CX250-43-N1B1-A	39.8	247	51.5	224	194.5
CX250-89-L-A	52	247	52	224	194.5
CX250-215-N20029-A	52	247	52	224	194.5
CX300-13E-N8B13-A	52	304.5	64	281.5	234
CX300-13M-A0.1Y10M14-A	52	302	61.4	278	221
CX300-18-NY10-A	52	293	66	270	234
CX300-26N13B1-A	52	298	65	270	234
CX300-49A-N2T75UM14-A	52	303	67.2	281	238
CX300-88A-L19S-A	62	303	63.2	280*268	240*228
CX300-198-N10T75B1-A	52	300	66	282	234
CX300-311A-T70U-A	39.8	301	67.3	280	235
CX380-20B-NZ10-A	62	374	80.9	346	306
CXT1623-01-N4B2-A	26.9	230*158	37.2	217*145	189*117
CXT1623-08-L4-A	26.9	230*158	38	216*144.5	188*116.5
CXT1623-24-N14Y1	26.8	231*158	35	208.5*137.5	189*118
CXT1623-33-N14U3-A	26.8	231*159.5	36.5	208.5*137.5	189*118
CXT1623-38-N18M14-A	31.4	231*160	34.5	215*145	190*118
CXT1725-01-B19M14-A	39.8	245*173	38.2	235*163	210*136
CXT3030-04-B1M1S-A	52	324*324	38.2	235*163	210*136

## foam edge injection PP cone

SPECIFICATION (mm)					
Model No.	Inner diameter d	Outer diameter D	Effective height h	Outside R rim R1	Inside R rim R2
CX80-10-H1A8B2M14-A	26.8	84	13.4	74	60
CX100-27B-H1G4-A	20.3	98.5	17.6	91	75
CX100-28-H1A10Y12	20.3	98	19	91	77
CX100-82F-H1Y22M14-A	26.5	97	16.2	90.1	72
CX100-95A-A1003-A	26.8	99	16.1	90	72
CX131-12A-NH1A12Y12	21.3	122	22.5	110	92.5
CX131-58-H1A12Y12	20.3	126	17	1028	92
CX131-69-A1208	26.8	126	19	108	92
CX131-69-NH1A12HL14	26.8	122	19	110	92.5
CX135-69-H1A12B6-A	26.8	130	21	118	99
CX158-117B-N2A10L28G4.6S-A	26.3+0.1	157	17.8-0.2	141	117.5
CX158-117C-N3A1008	26.2	148	16.7	132	114
CX158-133A-N3A10L1M14J1	26.8	162(148)	15.6	132	114
CX158-18-H1A12U16A	26.8	156.5	26.5	139.5	114.5
CX158-67C-N01J1PN-17	26.3	148(141)	25	131	112
CX166-57-B-A	26.8	158	26.5	143	141
CX166-68C-H1A11Y10M14	26.8	149	24	138.1	118.5
CX166-69-N5H1Y7J1-H	26.8	161 (152)	26	141	121
CX166-133-N5H1A10Y10M14-A	26.8	152	16.2	141	121
CX200-26-N7A20LS-A	39.8	198	37.5	184	150
CX250-10-03-A	52	247	51.3	226	196
CX250-13F-H1A25M68-A	52	247	50	226	196
CX250-20-NH1A18B3-A	52	246	53	225.5	193.5
CX250-28C-A30010-A	52	252	47.5	230	181
CX250-30B-N2H1A35B1-W-A	52	248	47.3	230	186
CX250-246-NH1A18A0.8B2M14-A	39.6+0.1	246	48.0-0.5	225.5	193.5
CX250-282-H14A34B2M14-W2	54.5	253	39.5	231	177
CX300-12C-H14A35Y10M14-A	52	302.5	59.72	278	208
CX300-13S-LA40B1-A	52	305.5	56.5	286	214
CX300-20A-NH1A30B3-A	52	299.8	64	278	228
CX300-185-A40B1S-A	52	305.5	58	286	214
CX300-280-N2B1M23-W-A	52	296	61.5	274	234
CX300-282D-H14A34M19/B2M14S-W21	54.5	304	53.5	280	226
CX300-300-H1A35T1M14S-A	52+0.1	298	57.1	277	225
CX380-08D-A45010-A	52	377	71	347	279
CX380-28H1A22M013-A	52	372	83.5	350	310
CX380-89-L2A50B1S-A	62	381	80	360	284
CXT1016-18A-H1A122M23	20.3	147.97	17.1	138*88.5	127*74.5
CXT1016-54-H1A12Y10M14	21.3+0.1	155*97	18	140.5*82.5	126.5*68.8
CXT1219-21D-H1A12Y10M14A0.6	26.3+0.1	189*134.5	22	179*124.5	161*106.5



cloth edge injection PP cone

SPECIFICATION (mm)						
Model No.	Inner diameter d	Outer diameter D	Effective height h	Outside R rim R1	Inside R rim R2	
CX100-123A-C6Z2M14J1	20.3	98.5 98.5	15	89	74.2	
CX100-18A-020J1	26.8	99.5 98.5	14.5	89	74.2	
CX100-209A-N1C6Y34M14	21.3+0.1	96.6	19.3	91	75.5	
CX100-27-NC6L16M14A0.3	20.3	99	19	90.5	76.5	
CX100-27-NCY34M14G1.5-W2	20.3	99	19	90.5	76.5	
CX100-28B-C6GSJ8	20.3	96.5 98.5	18	89	74.2	
CX100-42A-NC6F130Y2J1	21.3	98 98	14.8	91	75.5	
CX100-42-C6L32J6	20.3	98.5 98.5	15.4	89	74.2	
CX100-47-C6Z2J1-PI	20.3	98.5 98.5	15	89	74.2	
CX100-57-YJ1	20.3	98 98	14.6	89	74.2	
CX100-82-NC6B1J1	26.8	99 99	17.4	90.5	76.5	
CX103-257A-C96020M23J1	20.3	98.5 98.5	15	89	74.2	
CX103-257-C6Z2M23JI-13	21.3	98.5 98.5	15	89	74.2	
CX131-18B-020J1	26.8	125.5 122	17.8	110	92.5	
CX131-19C6020M23JI	20.3	125.5 122	17	110	92.5	
CX131-47-C6Z2J1-PI	20.3	127 122	17.4	110	92.5	
CX13157-C6Y12M14J1-E31	20.3	125.5 122	17	110	92.5	
CX131-57-C6Y12M14J1-E64	20.3	125.5 122	17	110	92.5	
CX131-61-C6Y12M14J1-E31	26.8	125.5 122	19	110	92.5	
CX135-126A-C6Y10-A	20.3	122	18.6	110	92.5	
CX135-257A-C6Z12M23J1	21.3	127.8 122	19	110	92.5	
CX135-61A-C6Y10M14	26.3	122	20	113.5	95	
CX135-61-C6Z5M24	26.3	122	17	113.5	95	
CX158-134-C6Z2J1A	26.3	148 141	16.8	131	113.5	
CX158-134-NC6Y12J1	26.3	148 141	16.8	130	111.5	
CX158-18A-C6Z12J1	26.8	148 141	23.2	131	113.5	
CX158-18B-C6Z10J1	26.8	148 141	24	131	113.5	
CX158-36-C6L16M14J1A	26.6	154 141	21.8	131	113.5	
CX158-36-C6Y12M14J1-E31	26.6	148 141	21.8	131	113.5	
CX158-36G-L28M14-A	26.6	153	22.5	138.75	114	
CX158-36-N3C6Z5M14J1-41	26.6	154 141	21.8	132	112	
CX158-42-C6Y2J1A	26.8	148 141	24	131	113.5	
CX158-42-N1C5Y32M14SJ1-PI	26.8	148 139	22.4	131	113.5	
CX158-47-C6Z2J1-PI	26.8	148 141	23	131	113.5	
CX166-19-NC6020J1	26.8	162 149.5	16	140	117	
CX1623-01-C6Z2M14	26.9	230*158	37.2	209*137	189*117	
CXT1623-08A-NC6Y34M14G10	31.4	232*159	34.8	216*144	190*118	
CXT1623-29-C66B19	26.9	234*160	34.6	221*149	195.5*123	
CXT1623-23-N2C62L48S3	26.9	231*158	34.6	217*143	193.5*124	
CXT1623-37B-N2C62L48S	26.5	231*158	37	217*143	193.5*124	

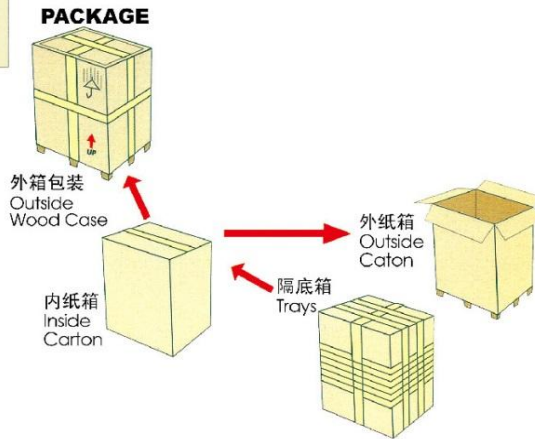
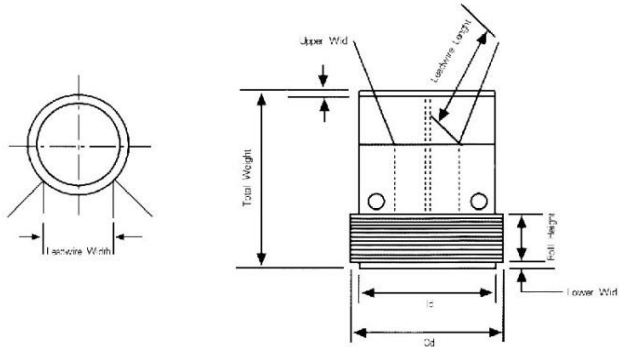
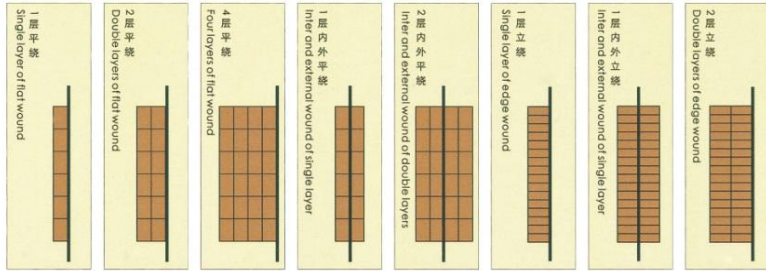
### 3/ Terminal





## 4/Voice coil

### Methodology for Ribbon Wire Wound



Materials for Former/Bobbin		
Material	Thickness(mm)	Heat Resistance
SV Aluminium	0.03,0.05,0.075,0.10,0.13	150°C-280°C
Kapton	0.03,0.05,0.075,0.10,0.125,0.15,0.175	220°C-300°C
Nomex 410	0.05,0.07,0.10,0.130	200°C-220°C
Glass Fiber/Til	0.075,0.10,0.125,0.15,0.175,0.20	220°C-250°C
Kraft Paper SV	0.05,0.07,0.10,0.130	150°C-180°C
Black Anodized Aluminium	0.075,0.10,0.125,0.15,0.20	150°C-300°C
Anodized Aluminium	0.075,0.10,0.125,0.15,0.20	150°C-280°C
Black Kapton	0.125	150°C-280°C

Materials for Reinforcement		
Material	Thickness(mm)	Heat Resistance
Kraft Paper Lock	0.03,0.05,0.08,0.10,0.13,0.18	100°C-120°C
Black Kraft Lock	0.03,0.05,0.08,0.10,0.13,0.18	100°C-120°C
Senka Lock	0.06	100°C-120°C
Black Senka Lock	0.06	100°C-120°C
Kraft Paper SV	0.03,0.05,0.08,0.10,0.13,0.18	150°C-200°C
Black Kraft SV	0.03,0.05,0.08,0.10,0.13,0.18	150°C-200°C
Nomex 411	0.13,0.25	200°C-260°C
Green Nomex 411	0.13,0.25	200°C-260°C
Spunlace Nomex	0.075,0.10,0.125	200°C-260°C
Black Spunlace Nomex	0.075,0.10,0.125	200°C-260°C
Tufquin	0.075,0.13	150°C-180°C

Wire shape	Conductor	Thermal Class(°C)
Round	Copper	155
		180
		220
	CCA	220-240
		155
		180
Aluminium	Copper	155
		180
		220
	High tension	220-240
		155
		180
Ribbon	Copper	155
		180
		220
	CCA	220-240
		155
		180
Square	Copper	155
		180
		220
	CCA	220-240
		155
		180



# 5/Damper



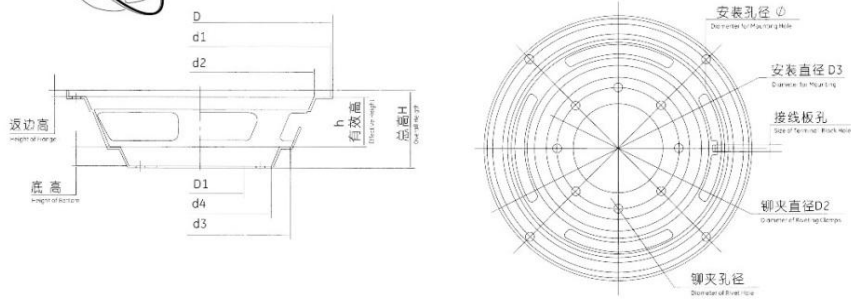
Code as shown			
Code	Material	Code	Color
CN	Cotton	A	Red
D	PAJ	B	Yellow
F	Spun silk	H	Black
S	Silk	I	Purple
MC	CONEX+Cotton		
NP	NPLYE	W	White
P	PC		



SPECIFICATION (mm)							
Model No.	Code	Outer diameter	Inner diameter	Center bore	Overall height	Effective height	Wave
DM30-03	210C	21	20	13.7	2	1.7	2
DM30-07	188A	18.8	17.8	13.5	1.5	1.2	2
DM30-13	210B	21	20	10.4	1.2	0.9	5
DM40-02	228B	22.8	21	13.8	1.8	1.5	4
DM40-05	240A	24	22.5	13.5	2.5	2	3
DM40-10	240C	24	22.2	13.7	1.8	1.5	3
DM50-01	250C	25	24	13.6	1.8	1.5	4
DM50-09	260F	26	24	13.7	1.6	1.2	4
DM50-29	250D	25	23.5	13.5	3	2.5	3
DM50-33	260M	26	24.5	13.5	1.7	1.7	3.5
DM58-01	280M	29	26.2	13.7	1.6	1.2	3
DM58-15	270A	27	25.3	13.7	2	1.6	3
DM58-24	280P	28	27	13.5	2.8	2.6	3
DM58-43	280W	28	26.3	13.5	1.6	1	3
DM78-01	290B	28	26	13.5	3.5	3	3
DM78-06	280H	28	26.5	13.7	2.4	2.4	3.5
DM78-07	295A	30	26.5	13.5	3.5	3	4
DM80-12	320HK	32	30.2	13.7	2.7	2	4
DM80-19	320RX	32	30	13.7	5	3.5	4
DM80-44	320N	32	29	13.7	3.2	2.5	4
DM90-06	390D	39	37	13.65	3.8	3.5	4
DM90-10	400P	40	36.5	14.5	5.5	5	4
DM90-35	375B	37.5	34.8	13.7	5	4.5	4
DM90-60	385D	38.5	36.2	14.9	5	3.5	4
DM100-12	480D	48	42	13.6	1.5	0	4
DM100-36	430A	43.5	40.4	14.5	5	4	4
DM100-58	450D	45	42.5	20.8	2	1	4
DM110-05	560F	56	52.5	15.8	1.5	0.5	5
DM110-12	600I	60	53	14.4	3	1.7	5
DM110-16	580D	58	53.8	18.6	8.2	7.5	4
DM131-16	530F	53	48	14.5	3	2.3	5
DM131-20	530I	56	51	14.5	1.5	0	5
DM131-45	520C	52	44	15.1	2.5	2.3	4
DM158-06	630A	62	54	14.6	1.9	1.5	5
DM158-23	640C	64	60	19.9	6.2	4.5	4
DM165-09	680A	67	63.5	25.8	4.5	3.5	4.5
DM165-14	600P	60	54	16.5	1.4	0	4
DM165-29	680W	68	62	20.6	3	2	5
DM166-04	780F	78	72	20.6	4	2.5	6
DM166-38	780M	78	73	25.8	2	-1.5	4
DM166-46	760B	76	73	20.6	7	5	5
DM167-02	680B	71	62.5	20.5	3	2	6
DM167-19	740C	76	69.5	20.6	3.8	2.5	6
DM200-07-01	910A	90	84	25.8	6	5	6
DM200-26	1050C	105	98	25.8	3	0	5
DM200-64	1600A	160	148	51.4	6	4	6



# 6/Basket



Plating type			
Black spray paint	Chromium plating	Zinc plating	Optical processing

## Steel basket



YD78-03



YD103-01



YD160-65



YD158-02



YD200-18E



YD166-12



YD300-27



YD250-25



YD383-08



YD380-33



YD385-36



YDT1623-01



YDT1623-14



YDT1623-16



### AL basket



PJ166-02AL



PJ166-03AL



PJ630-10AL



PJ666-18AL



PJ166-120AL



PJ694-12AL



PJ568-12AL



PJ675-15AL



PJ694-15AL



PJ688-10AL



PJ200-01AL



104-10AL



PJ688-15AL



PJ667-12AL



PJ658-18AL



YD380-01



PJ698-18AL



PJ668-15AL



YD390-05



YD380-06

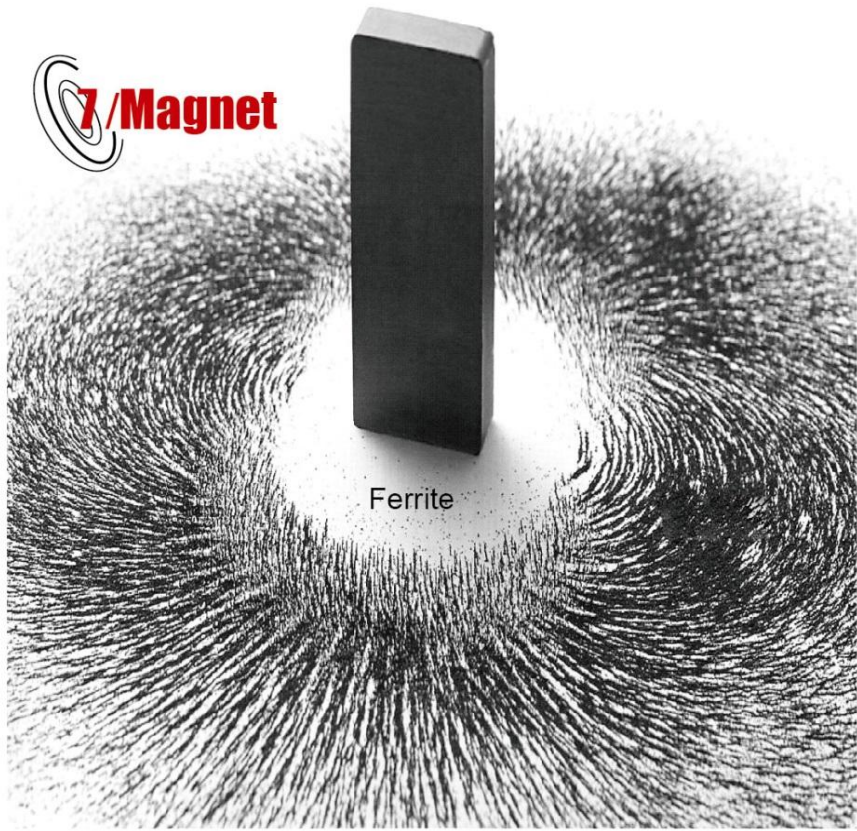


AL basket

SPECIFICATION (mm)								
Model No.	Overall height H	Effective height h	d1	d3	Outer diameter D	Center bore D1	Mounting diameter	Rivet clamp bore
PJ775-21AL	183.0	149.0	534	220	540.0	138.0	518*8-46.5	160*6-46.5
PJ675-18AL	144.5	108.5	468	185	475.0	131.0	450*8-46.5	156*6-46.5
PJ675-15AL	95.0	67.0	381	185	388.0	131.0	370*8-46.5	156*6-46.5
PJ675-12AL	72.0	46.0	307	185	312.0	130.0	294*8-46.5	150*6-46.5
PJ658-18AL	134.0	108.0	455	212	463.0	140.0	442*8-46.5	156*6-46.5
PJ568-15AL	95.5	68.5	380	205	386.0	140.0	370*8-46.5	156*6-46.5
PJ688-15AL	114.0	85.0	380	169	388.0	107.0	369*8-46.5	120*6-46.5
PJ688-12AL	89.5	72.5	305	154	311.0	87.0	293*8-46.5	120*6-46.5
PJ688-10AL	80.0	58.5	255	139	260.0	74.0	247*8-46.5	90*4-46.5
PJ688-8AL	63.0	45.0	205	128	210.0	58.0	197*4-46.5	76*4-46.5
PJ978-15AL	114.0	88.0	382	160	390.0	90.0	371*8-46.5	110*6-46.5
PJ685-10AL	89.0	55.0	255	154	260.0	87.0	247*8-46.5	110*6-46.5
PJ568-12AL	69.0	41.0	306	176	311.0	141.0	295*8-46.5	156*6-46.5
PJ688-18AL	160.5	120.2	457	205.2	463.0	109.0	441*8-46.5	127.6-46.5
PJ688-15AL	130.0	91.5-2	383	204.2	388.0	109.0	372*8-46.5	127*6-46.5
PJ688-12AL	104.0	24139.0	308	192.2	313.0	90.0	302*8-46.5	127*6-46.5
PJ688-10AL	88.0	54.5-2	255	171.2	260.0	90.0	246*8-46.5	110*6-46.5
PJ688-8AL	63.0	37.5-2	205	130.2	210.0	55.0	197*6-46	76*4-46.5
PJ694-10AL	82.5	16132.0	267	189.3	272.0	86.0	258*8-46.5	110*6-46.5
PJ694-8AL	67.0	33.3	205	147.3	211.0	65.0	196*8-46.5	80*6-46.5
PJ694-15AL	130.0	88.3	383	215.3	389.0	108.0	373*8-46.5	127*6-46.5
PJ694-12AL	95.0	56.5-3	308	189.3	313.0	87.0	297.5*8-46.5	110*6-46.5
PJ694-10AL	130.0	88.3	383	215.3	389.0	108.0	373*8-46.5	127*6-46.5
PJ655-12AL	97.0	79.0	309	116	314.0	98.0	290*8-46.5	112*6-46.5
MH-1529	129.0	98.0	383	190	389.0	107.0	371*8-46.5	120/155*6-46.5
MH-1229AL	108.0	78.0	307	190	313.0	107.0	307*8-46.5	120/155*6-46.5
104-12AL	101.0	63.0	312	190/175	317.0	86.0	313*8-46.5	110*6-46.5
385-120AL	119.0	92.0	380	178	386.0	87.0	367*8-46.8	100*4-46.5
104-10AL	82.5	55/49	365	190/175	365.0	86.0	255*8-46.5	110*6-46.5
PJ666-12AL	95.5	72.0	302	139	318.0	104.0	229*8-46.5	154*6-46.5
							120*4-46.5	120*4-46.5
PJ667-10AL	95.0	42.5-37.5	267	192-205.5	273.0	110.0	257*8-46.5	126*6-46.5
PJ667-12AL	108.5	55-50	309	191	315.0	110.0	397*8-46.5	126*6-46.5
PJ667-15AL	143.5	82.5-88.5	383	203-191	390.0	110.0	372*8-46.5	127*6-46.5
PJ654-6AL	40.0	25.0	160	93	164.0	30.0	152*4-46.3	42*4-44.3
PJ688-15AL	133.0	85/87	380	194/170	388.0	95.0	370*8-46.5	133*8-46.3
PJ698-18AL	148.0	113.0	453	190	460.0	116.0	440*8-46.5	148*4-46.5
PJ698-15AL	120.0	86.0	388	185	396.0	122.0	375*8-46.5	148*4-46.5
PJ698-12AL	98.0	70*75.6	309	70/55	312.0	106.0	295*8-46.5	120*4-46.5
PJ698-10AL	78.0	54/58	255	55/54	260.0	86.0	246*8-46.5	100*4-46.5
PJ630-10AL	99.5	54.0	263	19+0	270.0	110.0	255*8-46.5	127*6-46.5
PJ630-12AL	110.2	64.5	314	190	321.0	110.0	304*8-46.5	127*6-46.5
PJ666-18AL	148.0	112.0	447	183	464.5	140.0	44.3*8-46*11	156*6-46.5
PJ666-15AL	104.0	72.0	380	183	392.0	140.0	375*8-46*9	156*6-46.5
250-120AL	78.0	56.0	255	157	260.0	85.0	254*8-46.8	100*4-46.5
200-120AL	61.0	40.0	204	128	208.0	73.0	193*4-46.8	80*4-46.5
166-120AL	56.0	35.0	175	111	175.0	61.0	162*4-46.5	76*4-46.5
PJ635-8AL	64.0	47.0	190	120	210.0	60.0	196*6-46.3	70*4-46.5
0801-8AL	62.0	38/40	205	130/116	210.0	70.0	69*6-46.5	86*4-46.3
PJ200-01AL	68.0	54.0	207	141	213.0	94.0	197*6-46.2	105*6-46.3
PJ200-02AL	52.0	38.5	200	130	204*204	70.0	219*4-47	90*4-46.3
PJ166-02AL	45.0	28.0	150	100	164.0	45.0	157*14	60*4-44.5
PJ166-03AL	52.0	37.0	154.00	99.00	170.5	40.0	162.5*4-46.5	50*4-44.5
								60*4-44.5
PJ166-04AL	52.0	37.0	154.00	98.00	159.0	40.0	162*4-46.5	50*4-44.5
								60*4-44.5
PJ135-03AL	43.5	28.0	129.00	90.00	150*134	38.0	14*6-44.5	50*4-44.5
PJ135-04AL	50.0	25.0	116.00	88.00	132.0	29.0	124*4-44.3	50*4-44.3
PJ200-06AL	45.0	25.6	205.00	132.00	210.0	90.0	198.5.5	105*4-46.5
PJ300-120AL	92.0	66.0	305.00	178.00	312.0	85.0	292*8-46.8	100*4-46.5
PJ166-06AL	92.0	25.4	168.00	110.00	173.0	75.0	1616*8-46.5	90*4-46.5

Steel basket

SPECIFICATION (mm)							
Model No.	Overall height H	Effective height h	d1	d2	d3	d4	Outer diameter D
YD460-01	155.8	131.6	430	416	185	156	458.8
YD380-02	108	90.5	380	352	155	124	383
YD380-06	120	91.5	382	346	191	148	419
YD380-01	113	93	384	361	173	124	387
YD380-12	115.5	91	383	353	170	130	
YD390-05	118	107	383	347	165	110	387
YD380-91A	111.8	102	379.3	347.3	186	145	382.3
YD380-25	123	93	388	352	203	170	391
YD380-68	113.5	94.5	383	350	205	140	385
YD300-01	87.7	70.7	301.7	281	155	120	304.5
YD300-03	94	71	302	268	146	110	304
YD300-04	91	69	305	275	200	145	307
YD300-05	88.5	76	306	284	150	105	308
YD300-06	95	72	301	277	155	111	334
YD300-08	88.7	70	297.8	280.7	155	121	328
YD300-17	85	68.8	300	282	155	120	303.2
YD300-07	91.48	71.7	307	271.91	166	119	309
YD300-68	91	64	311	273	175	113	
YD300-73	91.6	61.3	307	279	191	114	309
YD300-18	97	70	300	280	153	113	332
YD250-02	71.6	58	252	229	117	92	275.7*275.7
YD250-04	80	58	255	230	180	140	257
YD250-06	72.5	57	253	228	118	93	292
YD250-10	60	54.5	255	229	129	257	
YD250-26	75	55	252	228	155	110	255
YD250-69	77.5	54.8	156	230	164	136	258
YD250-63A	69.3	46.6	255	225	174	111	257
YD250-73	73.7	50.9	259	231	172	120	261
YD250-06P	81.3	45.3	255	232	156	121	257
YD250-91	71.3	57.4	264	233	137	69.2	
YD200-06	58	40	202	180	95	68	205
YD200-08	58	44.2	196	183	113	87	221.5
YD200-53	55.3	42	208.5	182	113	89	210.5
YD200-63	54.9	40.3	208.2	176.7	118	89.1	210
YD200-07G	58.8	41.8	206	181	116	91.5	
YD200-68	91	64	311	273	175	113	
YD2166-02	43.8	31	160	42	92	69	170.5*170.5
YD166-02	43.8	31	160	42	92	69	170.5*170.5
YD166-09A	42.2	27.5	164.4	139	94	75	166.7
YD166-19	45	36	158	145	115	90	178
YD166-19A	45	36	158	145	115	90	178
YD166-69	44	29.2	163.4	142	95	80	166
YD166-24	35.2	24.9	163	140	87	64	164
YD1623-01A							
YD1623-01	55.8	43.2	232*161	147.5&218.5	102	78	163.5*234
YD158-05	35	26	157	134	95	75	16
YD158-23A	27.3	16.9	149	132	82	61	159
YD2135-02	29.2	22	117.7	106	81	63	136*136
YD131-03C	48.6	33.2	127.5	115	91	66	147.5
YD131-07	35.1	25	126	112	81	57	147.5
YD131-44	31.5	24	127	111	82	67	129.2
YD120-01	28	21	117	107	65	49	118.5*118.5
YD103-15	27.5	18.5	100	92	71	54	106*106
YD103-10	22.6	13.5	100.4	92	62	50	102*102
YD103-10	18.3	13.5	100	93	52	40	102*102



Ferrite

### Ferrite Magnet

Ferrite magnet belong to sintering permanent magnet materials. It composed of Ba and SrFe. This magnetic material can resist demagnetization and have advantage in low cost. Ferrite magnet is stiff but brittle so it needs special mechanical working. its anisotropic magnet because of magnetic direction according to manufacture orientation should be charged magnetism on the basis of direction adopted. But its isotropic magnet doesn't have a tropism and can be charged magnetism in any direction. BH is ranging from 1.1MGOe to 4.0MGOe. Ferrite materials are vastly applied from motor, loudspeaker to toy and crafts. Thus it is the main permanent magnetic material widely used so far.

Magnetic Properties of Sintered Hard Ferrite							
Grade	Remanence		Coercivity Force		Intrinsic Coercive Force		Max. Energy Product ( BH ) max
	Br		Hcb		Hcj		
	mT	kGs	kA/m	kOe	kA/m	kOe	
Y10T	200-235	2.0-2.35	125-160	1.57-2.01	210-280	2.64-3.52	6.50-9.50
Y10T	320-380	3.2-3.8	135-190	1.70-2.38	140-195	1.76-2.45	18.0-22.0
Y22H	310-360	3.1-3.8	220-250	2.77-3.14	280-320	3.52-4.02	20.0-24.0
Y23	320-370	3.2-3.7	170-190	2.14-2.38	190-230	2.39-2.89	20.0-26.5
Y25	360-380	3.6-4.0	135-170	1.70-2.14	140-200	1.76-2.51	22.5-28.0
Y26H	360-390	3.6-3.9	220-250	2.77-3.14	225-255	2.83-3.21	23.0-28.0
Y27H	370-400	3.7-4.0	205-250	2.68-3.14	210-255	2.64-3.21	25.0-29.0
Y30	370-400	3.7-4.0	175-210	2.20-2.64	180-220	2.26-2.77	26.0-30.0
Y30BH	380-390+	3.8-3.90	223-235	2.80-2.95	231-245	2.90-3.08	27.0-30.0
Y30-1	380-400	3.8-4.0	230-275	2.89-3.46	235-290	2.95-3.65	27.0-32.0
Y30H-2	395-415	3.95-4.15	275-300	3.46-3.77	310-335	3.90-4.21	28.5-32.5
Y32	400-420	4.0-4.2	160-190	2.01-2.38	185-195	2.07-2.45	30.0-33.5
Y33	410-430	4.1-4.3	220-250	2.77-3.14	225-255	2.83-3.21	31.5-35.0
Y35	400-410	4.00-4.10	175-195	2.20-2.45	180-200	2.26-2.51	30.0-32.0

Physical Properties of Hard Ferrite Magnets				
Parameters	Mark	Unit	Values	Remark
Recoll Permeability	rec	Gs/Os	1.05-1.3	
Curie Temperature	Tc	°C	≥450	
Temp. Coefficient of Magnetic Induction	A(Br)	°C <sup>-1</sup>	-0.2%	0-100°C
Temp. Coefficient of Intrensic Coerrice Induction	A(Hcj)	°C <sup>-1</sup>	-0.2-0.5%	0-100°C
Density	D	G/cm <sup>3</sup>	4.6-5.0	
Specific Resistance		Ω.cm	≥106	
Coefficient of Thermal Expansion	A	°C <sup>-1</sup>	7-15*10 <sup>-6</sup>	
Hardness	HV	--	480-580	

Block magnets		
No.	Description	Size(mm)
1	Y25 rectangle block magnets	30*20*15*6
2	Y25 rectangle block magnets	30*20*6
3	Y25 rectangle block magnets	30*20*8
4	Y25 rectangle block magnets	40*25*6
5	Y25 rectangle block magnets	40*25*10
6	Y25 rectangle block magnets	150*100*25
7	Y25 rectangle block magnets	150*100*12.5
8	Y25 rectangle block magnets	25*11*6
9	Y25 rectangle block magnets	25*9.5*6
10	Y25 rectangle block magnets	40*20*6
11	Y25 rectangle block magnets	20*10*6





SPECIFICATIONS & CARTON SIZE					
Size	g/Pc	Pcs/Ctn	length	width	height
32x18x6	0.01583	1200	35.00	27.50	6.80
32x18x8	0.02111	900	35.00	27.50	6.80
36x18x8	0.02931	400	31.0	27.0	7.0
40x18x8	0.03846	400	32.5	20.5	8.1
40x18x9	0.04421	352	32.5	20.5	8.1
40x22x9	0.03785	352	32.5	20.3	8
45x18x8	0.05127	300	30	22.5	9
45x19x8	0.05016	300	30	22.5	9
45x18x9	0.05771	300	30	22.5	9
45x19x9	0.05646	300	30	22.5	9
45x22x8	0.04647	300	30.0	22.5	9.0
45x22x9	0.05228	300	30.0	24.5	9.0
45x22x11	0.06387	240	30.0	24.5	9.0
50x22x9	0.06840	200	25.5	18.5	10
50x25x6	0.04239	240	24.3	18	10
50x25x11	0.07771	160	24.3	18	10
51x24x11	0.08393	160	25.5	20.5	10
53x24x8	0.06732	240	27	18.5	10.7
53x24x11	0.0926	120	24.3	18.0	10.0
60x24x13	0.148	100	31.50	25.00	6.00
60x32x10	0.09711	120	32.5	28.5	6
60x32x13	0.12618	100	30.5	26.5	6
65x24x10	0.13749	130	33	26.5	6.6
65x32x10	0.12	130	30	27	7
70x32x13	0.18986	80	30	27	7
70x32x15	0.21918	60	30.0	24.5	7.5
70x40x15	0.18652	60	30.0	24.5	7.5
72x32x15	0.23524	60	33.0	23.0	7.5
76x32x10	0.18	90	30	27	7
76x32x15	0.26859	60	34	26	8
76x45x15	0.212	60	34	26	8
80x32x15	0.304	60	34	26	8
80x40x15	0.271	60	34	26	8
86x32x15	0.36015	45	36	27	8
86x40x15	0.32759	42	26.3	23	8.7



SPECIFICATIONS & CARTON SIZE					
Size	g/Pc	Pcs/Ctn	length	width	height
88x36x17	0.41306	30	29	19.5	10
90x36x17	0.43605	30	29.0	19.5	9.5
90x50x15	0.31666	45	31.00	24.50	9.50
100x45x17	0.51084	30	28.5	24	9.2
100x57x17	0.43244	30	28.5	24	9.2
100x60x17	0.41015	30	28.5	24	9.2
100x45x20	0.601	30	32.5	20	10
100x57x20	0.50876	30	32.5	20	10
100x60x20	0.48253	30	26.0	22.5	12.0
110x57x17	0.56696	30	26.5	22.5	11.5
110x60x17	0.54448	30	22.5	20.5	11
110x57x20	0.66701	20	22.5	20.5	11
110x60x20	0.64056	20	22.5	20.5	11
120x57x20	0.84034	20	26	22.5	12
120x60x17	0.692	22	26	20	10
120x60x20	0.81428	20	26.0	22.5	12.0
134x57x20	1.10800	16	28.5	18.5	13.0
134x60x20	1.08238	16	28.5	18.5	13.0
156x60x20	1.56266	10	28.5	18.5	13.0
156x60x25	1.95350	8	23	17	15.6
156x57x25	1.98640	8	26.5	17.5	16
156x57x20	1.58912	10	26.5	17.5	15.6
156x80x20	1.35170	10	26.5	17.5	15.6
180x80x20	1.95900	10	19	19	20
180x85x20	1.89809	10	19.0	19.0	20.0
190x90x20	2.11008	6	19.50	19.50	16.00
190x90x25	2.63860	5	19.50	19.50	16.00
200x110x20	2.10254	7	20.5	20.5	15
200x110x25	2.62817	6	20.5	20.5	15
220x110x20	2.73687	6	29	19.5	10
220x110x25	3.42109	5	24.00	24.00	16.00
220x110x25	3.56200	3	242.00	242.00	88.00
228x110x25	3.98937	2	242.00	242.00	88.00
250x130x25	4.47450	3	273.00	273.00	88.00
274x140x25	5.44358	2	297.00	297.00	70.00



# Sintered NdFeB

The sintered NdFeB Magnet is an alloy magnet that mainly comprises the Neodymium, Iron and Boron Metal. The manufacturing engineering of NdFeB makes use of a process of powder metallurgy such like alloy powder being pressed in the magnetic flux and being sintered in the vacuum furnace or inert gases environment so that the magnets possibly have high coercive force, high product energy, highly performance price ratio and favorable mechanicalness.

1. sintered NdFeB magnets offer the highest energy per unit volume of any permanent magnet material, it can lift up to 1000 times its own weight.
2. Although Neodymium offer 30-40% higher energy levels than SmCo alloys and is considerably lower in cost, however SmCo magnet should still be considered your first choose if either high temperatures and or hostile environments are to be encountered within your application.
3. Produced by powder metallurgical engineering with chemical composition of Nd<sub>2</sub>Fe<sub>14</sub>B
4. Brittle and hard
5. High resistance to demagnetization
6. Good temperature stability
7. Require surface treatment to prevent corrosion



Regarding the surface of NdFeB, it is usually treated with some special methods, including Zinc, Nickel, Tin, Silver, Gold plating, Phosphor and Spray Epoxy Resin etc.

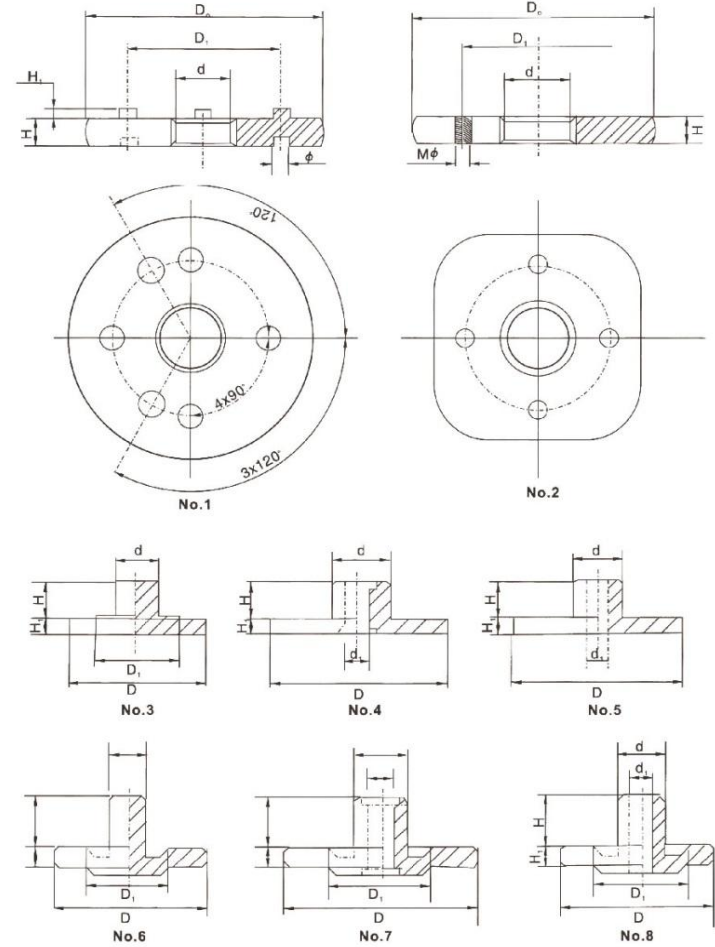
镍 Ni	锌 Zn	银 Ag	包塑 Plastic	磷化 Phosphor
环氧 Epoxy	金 Au	帕利灵 Parylene		

## Magnetic Properties of Sintered NdFeB Magnets

Grade	Remanence		Coercivity Force		Intrinsic Coercive Force		Max. Energy Product		maximum Operating Temp.
	Br		Hcb		Hcj		(BH) max		
	mT	kOe	kA/m	kOe	kA/m	kOe	MJ/m <sup>3</sup>	MGoe	
N27	1030-1080	10.3-10.8	≥796	≥10.0	≥955	≥12	199-231	25-29	80°C
N30	1080-1130	10.8-11.3	≥796	≥10.0	≥955	≥12	223-247	28-31	80°C
N33	1130-1170	11.3-11.7	≥836	≥10.5	≥955	≥12	247-271	31-34	80°C
N35	1170-1220	11.7-12.2	≥868	≥10.9	≥955	≥12	263-287	33-36	80°C
N38	1220-1250	12.2-12.5	≥899	≥11.3	≥955	≥12	287-310	36-39	80°C
N40	1250-1280	12.5-12.8	≥907	≥11.4	≥955	≥12	302-326	38-41	80°C
N42	1280-1320	12.8-13.2	≥915	≥11.5	≥955	≥12	318-342	40-43	80°C
N45	1320-1380	13.2-13.8	≥923	≥11.6	≥955	≥12	342-366	43-46	80°C
N48	1380-1420	13.8-14.2	≥923	≥11.6	≥976	≥12	366-390	46-49	80°C
N50	1400-1450	14.0-14.5	≥790	≥10.0	≥976	≥11	382-406	48-51	60°C
N52	1430-1480	14.3-14.8	≥796	≥10.0	≥976	≥11	398-422	50-53	60°C
30M	1060-1130	10.6-11.3	≥796	≥10.0	≥1114	≥14	223-247	28-31	100°C
33M	1130-1170	11.3-11.7	≥836	≥10.5	≥1114	≥14	247-263	31-33	100°C
35M	1170-1220	11.7-12.2	≥868	≥10.9	≥1114	≥14	263-287	33-36	100°C
38M	1220-1250	12.2-12.5	≥899	≥11.3	≥1114	≥14	287-310	36-39	100°C
40M	1250-1280	12.5-12.8	≥923	≥11.6	≥1114	≥14	302-326	38-41	100°C
47M	1280-1320	12.8-13.2	≥955	≥12.0	≥1114	≥14	318-342	40-43	100°C
45M	1320-1380	13.2-13.8	≥995	≥12.5	≥1114	≥14	342-366	43-46	100°C
48M	1360-1430	13.6-14.3	≥1027	≥12.9	≥1114	≥14	366-390	46-49	100°C
50M	1400-1450	14.0-14.5	≥1033	≥13.0	≥1114	≥14	382-406	48-51	100°C
30H	1080-1130	10.8-11.3	≥796	≥10.0	≥1353	≥17	223-247	28-31	120°C
33H	1130-1170	11.3-11.7	≥836	≥10.5	≥1353	≥17	247-271	31-34	120°C
35H	1170-1220	11.7-12.2	≥868	≥10.9	≥1353	≥17	263-287	33-36	120°C
38H	1220-1250	12.2-12.5	≥899	≥11.3	≥1353	≥17	287-310	36-39	120°C
40H	1250-1280	12.5-12.8	≥923	≥11.6	≥1353	≥17	302-326	38-41	120°C
42H	1280-1320	12.8-13.2	≥955	≥12.0	≥1353	≥17	318-342	40-43	120°C
45H	1300-1380	13-13.6	≥963	≥12.1	≥1353	≥17	326-358	43-46	120°C
48H	1370-1430	13.7-14.3	≥995	≥12.5	≥1353	≥17	366-390	46-49	120°C
30SH	1060-1130	10.6-11.3	≥804	≥10.1	≥1592	≥20	223-247	28-31	150°C
33SH	1130-1170	11.3-11.7	≥844	≥10.6	≥1592	≥20	247-271	31-34	150°C
35SH	1170-1220	11.7-12.2	≥876	≥11.0	≥1592	≥20	263-287	33-36	150°C
38SH	1220-1250	12.2-12.5	≥907	≥11.4	≥1592	≥20	287-310	36-39	150°C
40SH	1240-1280	12.5-12.8	≥939	≥11.8	≥1592	≥20	302-326	38-41	150°C
42SH	1280-1320	12.8-13.2	≥987	≥12.4	≥1592	≥20	318-342	40-43	150°C
45SH	1320-1380	13.2-13.8	≥1003	≥12.6	≥1592	≥20	342-366	43-46	150°C
28SH	1020-1080	10.2-10.8	≥764	≥9.6	≥1990	≥25	207-231	26-29	180°C
30SH	1060-1130	10.6-11.3	≥812	≥10.2	≥1990	≥25	223-247	28-31	180°C
33SH	1130-1170	11.3-11.7	≥852	≥10.7	≥1990	≥25	247-271	31-34	180°C
35SH	1180-1220	11.8-12.2	≥860	≥10.8	≥1990	≥25	263-287	33-36	180°C
38SH	1220-1250	12.2-12.5	≥876	≥11.0	≥1990	≥25	287-310	36-39	180°C
40SH	1240-1280	12.5-12.8	≥899	≥11.3	≥1990	≥25	302-326	38-41	180°C
28SH	1040-1090	10.4-10.9	≥780	≥9.8	≥2388	≥30	207-231	26-29	200°C
30SH	1080-1130	10.8-11.3	≥812	≥10.2	≥2388	≥30	223-247	28-31	200°C
33SH	1130-1170	11.3-11.7	≥836	≥10.5	≥2388	≥30	247-271	31-34	200°C
35SH	1170-1220	11.7-12.2	≥876	≥11.0	≥2388	≥30	263-287	33-36	200°C
38SH	1220-1250	12.2-12.5	≥899	≥11.3	≥2388	≥30	287-310	36-39	200°C



# 8/T yoke & washer





## Waher

SPECIFICATION (mm)							
Model No.	Drawing No.	Center bore d	Outer diameter Do	Diameter of Riveting clamps D1	Riveting Post $\Phi$	Tapped bore M $\Phi$	Thickness H
WS40-01	1	14.5	40	26	3- $\Phi$ 4		3
WS48-03	1	15.8	48	40	3- $\Phi$ 4		3
WS54-02	1	16.5	54	40	3- $\Phi$ 4		3
WS54-05	1	22	54	40	3- $\Phi$ 4		3
WS60-03	1	22	60	42	4- $\Phi$ 4		4
WS64-03	1	16.8	64	40	3- $\Phi$ 4		3
WS64-07	1	27.8	64	45	4- $\Phi$ 4		3
WS70-01	1	20.8	70	40	4- $\Phi$ 4		3
WS70-03	1	21	70	44	3- $\Phi$ 4		3
WS70-08	1	27.6	70	55	4- $\Phi$ 5.5		5
WS74-02	1	27.8	74	45	4- $\Phi$ 4		3
WS74-07	1	27.8	74	45	4- $\Phi$ 4		4
WS74-10	1	27.8	74	50	4- $\Phi$ 4		4
WS74-18	1	28.1	74	50	4- $\Phi$ 4		6
WS80-04	1	27.2	80	42	4- $\Phi$ 4		4
WS85-01	1	27.3	85	60		3-M5	6
WS93-04	2	27.4	93	76		4-M5	4
WS93-05	1	40.8	93	76	4- $\Phi$ 6		4
WS93-11	2	27.8	93	64		4-M5	5
WS93-16	2	27.4	93	50		4-M5	5
WS96-01	1	27.8	96	76	4- $\Phi$ 5		4
WS96-05	2	27.4	96	76		4-M5	5
WS100-01	1	40.4	100	59	4- $\Phi$ 5		6
WS105-11	1	39.8	105	60	4- $\Phi$ 5		6
WS105-14	2	40.8	105	79		4-M6	6
WS105-16	1	39.8	105	70	4- $\Phi$ 6		6
WS110-01	2	27.2	108	75		3-M5	8
WS110-02	1	54.25	110	70	4- $\Phi$ 6		6
WS115-11	2	38.2	115	76		4-M5	6
WS118-01	2	33.35	118	76		4-M5	6
WS125-01	2	40.8	125	76		4-M5	6
WS130-04	2	53.6	130	76		4-M5	6
WS135-03	2	40.8	135	76		4-M6	8
WS145-01	2	53.6	145	76		4-M5	8
WS165-01	2	53.2	165	76		4-M6	8
WS200-02	2	79.5	200	128		6-M6	10
WS205-02	2	83.5	205	127		6-M6	10
WS210-01	2	102.6	210	105		8-M5	12

## T yoke

SPECIFICATION (mm)							
Model No.	Drawing No.	Outer diameter Do	Thickness H1	Core post d	Effective height H	Center bore d1	Outer diameter of mangnet ring D1
TK2813-01	3	28	1.5	12.9	8.2		15.5
TK2813-10	3	28.5	1.5	12.9	8.2		15.5-17
TK2910-01	3	29	1.8	10	7.2		15.5-17
TK3213-03	3	32	2.5	12.9	10.5		15.5-17
TK3613-01	3	36	2	12.9	10.6		18-21
TK3614-08	3	36	3	13.9	10.5		18-21
TK4013-01	3	40	2	12.9	10.6		18-21
TK4014-09	3	40	2.5	13.9	8.5		18-21
TK4114-03	3	41	2.5	13.9	13.5		21
TK4513-03	3	45	3	12.9	13.5		21
TK4815-02	3	48	3	15	13.5		21
TK5215-02	3	52.5	3	15.9	13.5		21
TK5419-05	4	54	3	18.9	16	5.3	21
TK6419-05	3	64	3	18.9	18		21
TK6425-13	3	64	4	24.9	13.5	5.3	31
TK7025-05	3	70	3	25.4	18.5		
TK7425-05	3	74	4	24.9	22.5		
TK7425-16	3	76	4	24.9	16		
TK9325-02	3	93	4	24.9	22.5		43
TK9325-08	3	93	5	24.9	22.5		
TK9325-12	3	93	5	24.9	23.6		
TK9335-17	3	93	4	36.5	27		
TK9338-31	3	93	6	37.9	26.5		
TK9525-02	3	95	4	24.9	22		
TK9525-06	3	95	5	24.8	24.7		
TK9538-18	3	95	6	37.5	24.5		
TK10525-01	5	105	4	24.9	24.3	$\Phi$ 5.5	
TK10525-03	6	105	6	25.4	23.6		63
TK10538-11	3	105	5	37.9	25.7		
TK10538-16	3	105	6	37.9	26.7		
TK11050-01	7	110	8	49.9	23	$\Phi$ 20	70
TK11535-09	7	115	8	34.9	28.8	$\Phi$ 16	62
TK11538-13	3	115	6	37.9	26		
TK11825-01	3	118	6	24.9	26.5		
TK13038-01	3	130	5	37.9	26		
TK13038-02	7	130	6	37.9	26.8	$\Phi$ 12	62
TK13538-01	3	135	6	37.9	30		
TK14050-01	7	140	8	49.9	29.5	$\Phi$ 20	
TK14538-02	3	145	8	37.9	30.5		